



0 bis 135.000 m³/h

MADE IN GERMANY

Three row sprayer for professional orchards

Known proven technology with maximum performance!

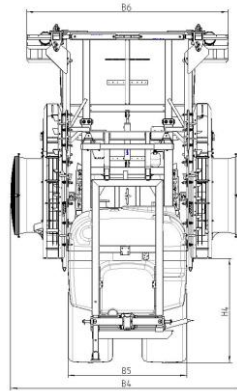
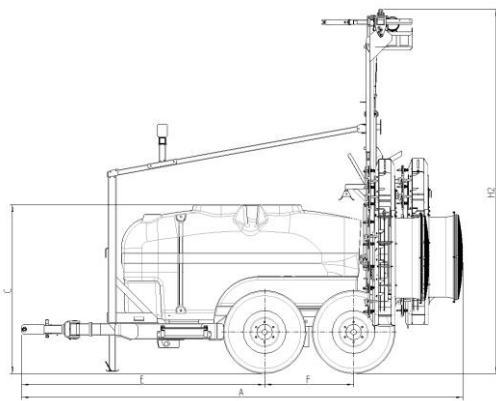
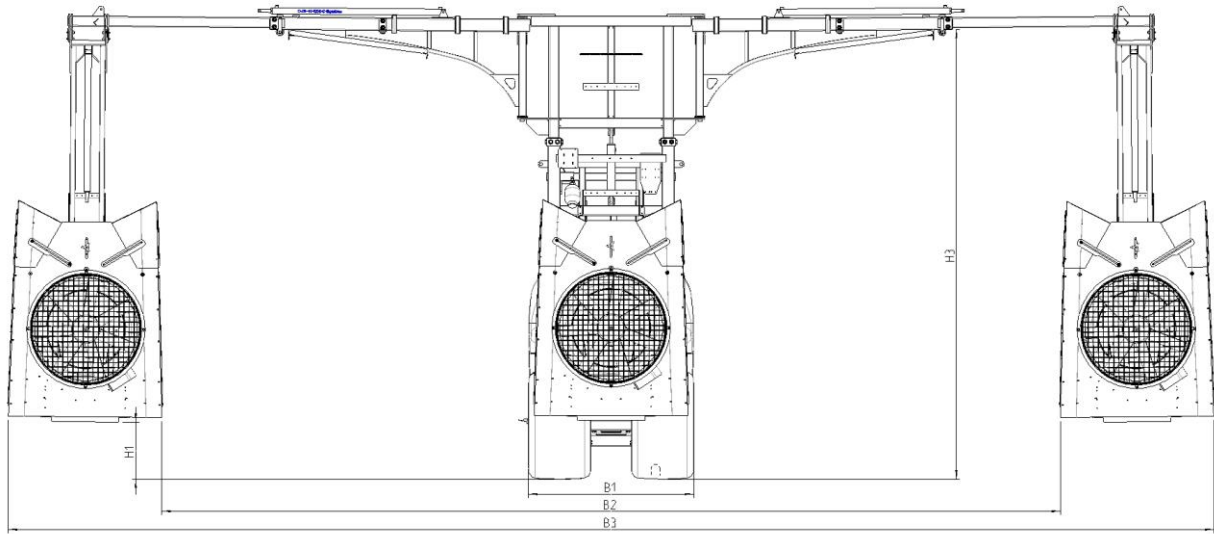
With the current multiple series device, we combine all strengths of Wanner sprayers in one device. Starting with the stable framework, which is built on a maximum-sized floor-friendly tandem tires, of course slowed. Specially a new tank series was designed, which is made in Germany from GRP.

Proven powerful axial cross flow fans in either 28" or 32" ensure best possible penetration of the plant at maximum accumulation and surface density. Of course the fans comply with the requirements of 90% drift reduction what an environmentally friendly application of plant protection products granted.

The processor-controlled hydraulic drive of the three fan possible all possible settings with the highest precision. Here's succeeded to reduce the power requirement, guaranteeing a saving of fuel in addition to the time savings the more series treatment.

The 2 variants are offered as standard with the following features:

<i>chassis:</i>	<i>Stable hot-dip galvanized frame, adjustable tandem axle with 480/45-17 wheels, hydro-pneumatic braking system</i>
<i>tank:</i>	<i>FRP tank with 1500 litres and 2000 litres, equipped with two openings with integrated hand wash - and system cleaning tank, system cleaning when fully and partially filled tank possible Pumpe: Kolbenmembranpumpe-IDS 1701 Mit 168l/min – 50bar</i>
<i>Remote control:</i>	<i>Electric remote control SC100/E6 with 6 sections, pressure gauge and pressure control electric, fan speed control for all 3 fan integrated into the remote control</i>
<i>Blower variants:</i>	<i>KA28 with air power 3 x 31,000 m³ /h per fan KA32 with air power 3 x 45,000 m³ /h per fan air performance all blower nozzles with illumination</i>



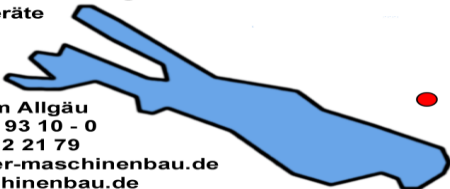
A	4680mm
B1	1420mm
B2	4570mm – 6985mm
B3	6980mm – 9485mm
B4	2930mm
B5	1370mm
C	1800mm
E	2385mm
F	915mm
H1	97mm – 1095mm
H2	370mm – 4040mm
H3	3520mm – 3820mm
H4	1230mm
Empty weight:	2635kg
total weight:	5245kg



Hersteller:
HANS WANNER GMBH

- Pflanzenschutzgeräte
- Maschinenbau
- Fahrzeugbau

Simoniusstraße 20
D-88239 Wangen im Allgäu
Telefon: +49 7522 / 93 10 - 0
Telefax: +49 7522 / 2 21 79
email: info@wanner-maschinenbau.de
www.wanner-maschinenbau.de



Ihr Fachhändler: